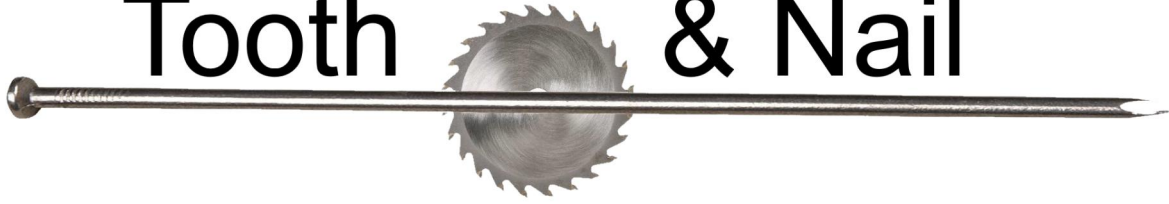
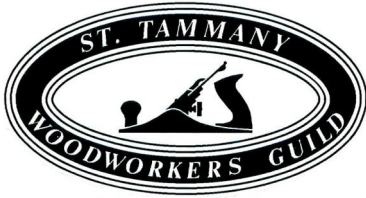


Tooth & Nail



Newsletter of the St Tammany Woodworkers Guild May 2016



OFFICERS

President:

Bob Busfield
rabusfield@hotmail.com

Vice President:

Brian Harrell
bharr151@bellsouth.net

Secretary:

Patricia Robbert
pat_robber@yadoo.com

Treasurer:

Wayne Thompson
bjwthompson@bellsouth.net

Wooden Boat Show

Coordinator:

Henry Simon
topsw@bellsouth.net

Librarian:

Jim Suarez
svpanoya@gmail.com

The April meeting was held at Carroll Miller's shop. Show-and-tell included the construction and installation of a striking oval and flame mount for a crucifix for a new local church done by Henry Simon and Ed Beshoner. Enjoy the photos. The meeting marked the 25th anniversary of the founding of the St. Tammany Woodworkers Guild and so a party followed the meeting. The charter includes the signatures of a few current members.

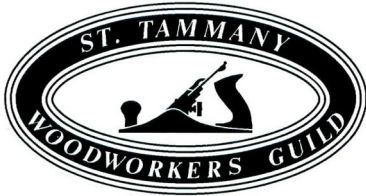
Jim Suarez is maintaining our lending library and will bring books and DVDs to a meeting upon your email request. His

email address is svpanoya@gmail.com.

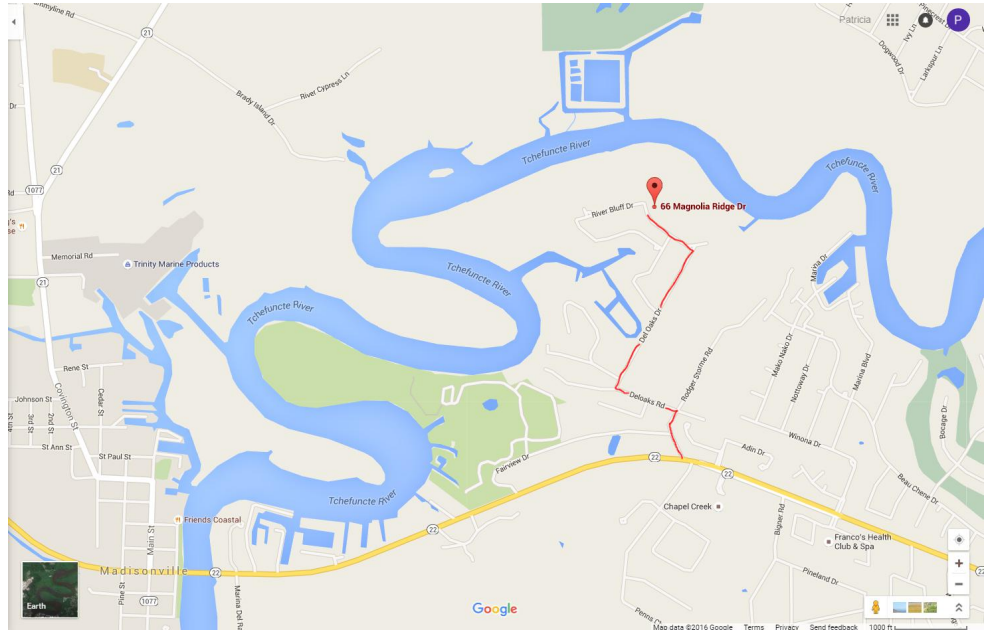
Our May meeting will be on the fourth Tuesday, May 24, at 7:00 pm at Gerald Gibson's shop. The presentation will be on techniques for making boat parts for the Madisonville Wooden Boat Festival. Please see the last five pages of this newsletter for information about making boat parts. It might be helpful if you would look over the diagrams prior to the meeting in case you have questions or suggestions that can be discussed at the meeting.

-Pat





MAP SHOWING GERALD'S SHOP



NEXT MEETING

Tuesday
 May 24, 2016
 7:00 PM
 Agenda:
 How to make boat parts

Gerald Gibson's Workshop
 66 Magnolia Ridge Dr
 Madisonville, LA 70447

Directions from Covington:
 Take US-190 S to LA-22.
 Turn right onto LA-22 and
 travel west to Rodger
 Storme Rd.
 Turn left onto Del Oaks
 Rd.
 Turn right onto Del Oaks
 Dr.
 Turn left onto Magnolia
 Ridge Dr.
 Gerald's house is #66, on
 the right.





APRIL MEETING

MISSION

The Guild is an organization founded in 1991 by local woodworkers for the purpose of education and inspiration in the art of woodcraft. The Guild is open to anyone who has an interest in woodworking at any skill level. Most members live in St. Tammany Parish but some come from Washinton Parish and Orleans Parish. Meetings are on the fourth Tuesday of each month at 7:00 PM except July when there is no meeting and November and December when the meetings are on the third Tuesday.

No matter what your level of experience is in the field of woodworking or where your interests lie, e.g., woodturning, flatwork, or carving, the Guild is there for your enjoyment and fellowship. Regardless of how many tools you own, whether you have a shop or not, come and see what the Guild is all about.



Monty Hall shows a platter and a bowl that he turned.



Joe Perret made a bumble bee trap.

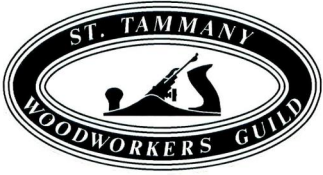


Carroll Miller cuts the 25th anniversary cake for the guild members.



Bob Busfield shows photos of a table and chairs that he modified for his grandchildren.





LENDING LIBRARY

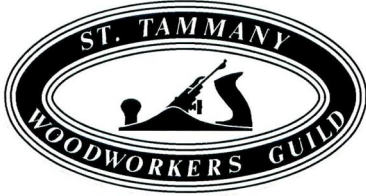
Please contact our librarian by email to request a book or DVD. Jim will bring it to you at the next meeting. Some of the titles follow.

Building Fine Furniture,
Davied Thiel's Power Tool Maintenance,
The Table Saw Book,
Art of Wood Inlay,
Pyrography Workbook,
Learn to Turn,
Band Saw Fundamentals,
Small Furniture,
Table Saw Techniques,
Working in Wood,
Scrollsaw Techniques,
Woodturning for Cabinetmakers,
Precision Trim Cabinetry,
Complete Manual of Woodworking,
Classic Toys in Wood,
110 Easy Projects,
Blizzard's Book of Woodworking,
Bandsaw Boxes,
Bookcases,
Multi-center Woodturning,
Best Jigs and Fixtures,
Birdhouses,
Outdoor Projects,
American Lighthouses.



Henry Simon and Ed Beshoner designed and built the oval and flame mount for the crucifix in a new local church.





For several years now we have been making more definitive parts for kids to use when building their boats. While time consuming, these parts result in a better boat and experience for the child. This document provides some guidance on making parts.

Note: Some parts are small in nature and present safety hazards for the woodworker as well as problems in handling pieces around rotating machinery. Always wear personal safety equipment, use guards and guide boards where possible, and use zero clearance inserts to provide proper support for the work piece and prevent equipment damage. Let's do this safely!!

Many parts are developed based upon our concepts as adults for specific boats; e.g. pirate ship, shrimp boat, sail boat, battleship, etc. Kids however see and use the parts in all sorts of ways which is the real purpose of the Kid's Boat Shop. For the child that does not yet have this imagination, the parts enable us to better guide them to a boat that they are proud to have.

The next four pages contain sketches with dimensions of parts and the steps I use to make them. We are not limited to only these parts. Your imagination and creativity for making other parts is equally important for this event. My methods may not necessarily be your methods. Our equipment may vary as well. I often get asked about what to make and this is just some guidance for some of the parts we make.

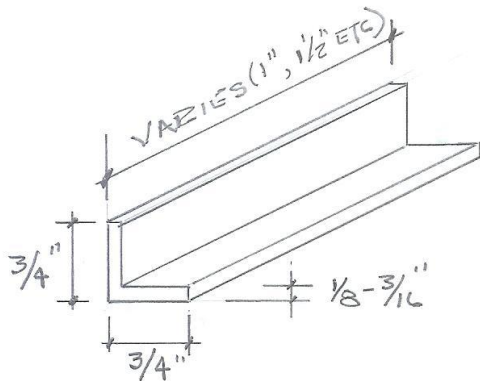
The Guild provides dowels in three diameters: 3/16", 1/4", and 1". The 1/4" dowels are used for sail masts and is the standard for parts that connect to the boats. Hence we do not have to constantly be changing drill bits at the festival. The 3/16" dowels are popular for gun barrels. The 1" is used to make parts. Gang cutting dowels helps to simplify mass production.

The Guild supplies the wood for hulls (donated to the Guild). Wood for parts comes from the drop offs of hull cutting, Abbey scrap materials from coffin building, and from other scraps collected during the year.

If you need help with any aspect of this endeavor, please make that known.

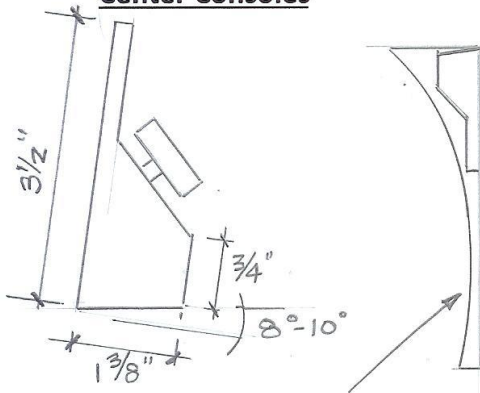
- Bob Busfield

Seats



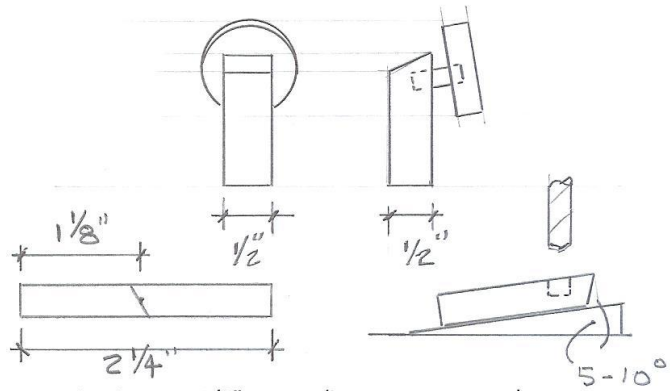
- 1 Rip long pieces to 3/4" square
- 2 Set table saw blade to correct depth: (3/4-3/16) & 3/16" off fence.
- 3 Set up guide fingers to hold pieces while fed through saw
- 4 Rip twice to remove waste
- 5 Save waste piece for other parts
- 6 Cut to various lengths

Center Consoles



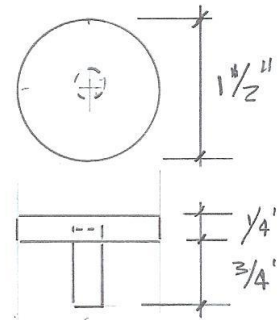
- 1 Make from hull drop-offs
- 2 Make pattern to easily trace on drop-off
- 3 Make cuts w/ band saw
- 4 Sand as necessary
- 5 Drill 1/4" hole for steering wheel
- 6 Glue on steering wheel (radar unit w/ shorter dowel)

Helms



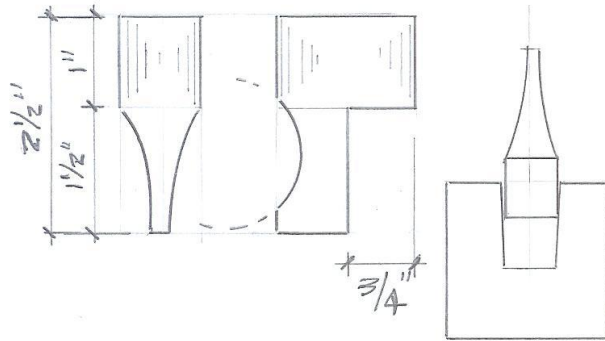
- 1 Rip pieces to 1/2" square (or use seats waste)
- 2 Gang cut pieces to 2 1/4" lengths
- 3 Cut 2 1/4" pieces in half on diagonal w/ bandsaw
- 4 Drill 1/4" hole for wheel
- 5 Glue in wheel (radar unit) with 1/4" dowel (1/2" lg)

Tables



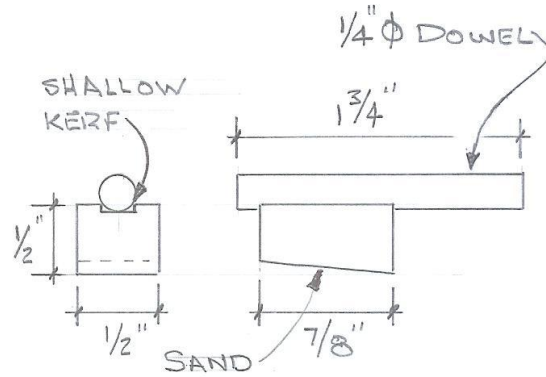
- 1 Radar units can serve as tables
- 2 I save larger dia. Dowels for this part.
- 3 I have also turned 1 1/2" dia. Dowels from ripped 2x_s
- 3 Drill hole and add 1/4" dowel piece or cut seat waste piece to 1/2" length & glue to table top

Outboards (From Abbey Coffin Handles)



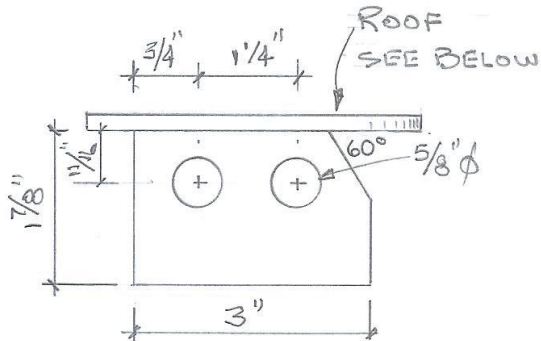
- 1 Cut handles to 2 1/2" lengths
- 2 Cut 1 1/2" x 3/4" piece on bandsaw.
Save for treasure chests, etc.
- 3 Cut verticle curves on bandsaw w/
guideblock
- 4 Use drum sander to shape all 3 curves

Cannons



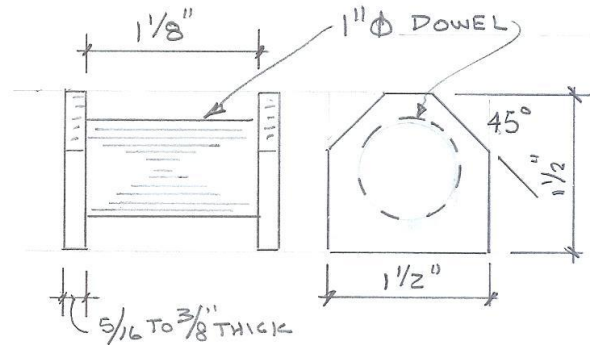
- 1 Rip wood to 1/2" square (or seat waste)
- 2 Cut shallow kerf for barrel nesting
- 3 Cut to length (gang cut multiple pcs)
- 4 Gang cut 1/4" dowels to length
- 5 Hot glue dowels (barrels) to base
- 6 Sand base on disc sander to point barrel up
slightly

Shrimp Boat Cabins



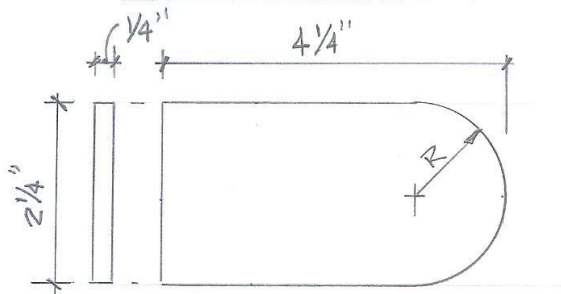
- 1 Rip 2x_ to 1 7/8" width
- 2 Use pattern to layout cabin
- 3 Chop to 3" length
- 4 Cut front angel on band saw
- 5 Drill 5/8" dia. Windows w/ Fostner bit to 1/4" depth. Use fence on drill press
- 6 Sand as necessary

Winches



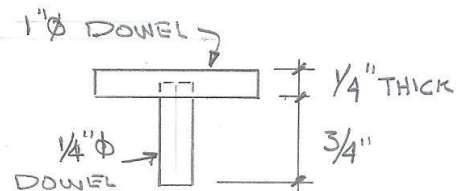
- 1 Rip 2x_ into 5/16 to 3/8" thickness
- 2 Gang cut strips to 1 1/2" lengths
- 3 Cut corners to 45 deg.
- 4 Cut 1" dia. dowels to length
- 5 Sand pieces as necessary
- 6 Glue dowels to end pieces

Shrimp Boat Cabin Roofs



- 1 Rip 2x_ to 2 1/4" width
- 2 Stand on end and rip to 1/4" thickness
- 3 Layout length and round front w/ pattern
- 4 Chop to 4 1/4" length
- 5 Cut round front on bandsaw
- 6 Sand (disc sander) as Necessary
- 7 Glue to cabin top

Radar Units

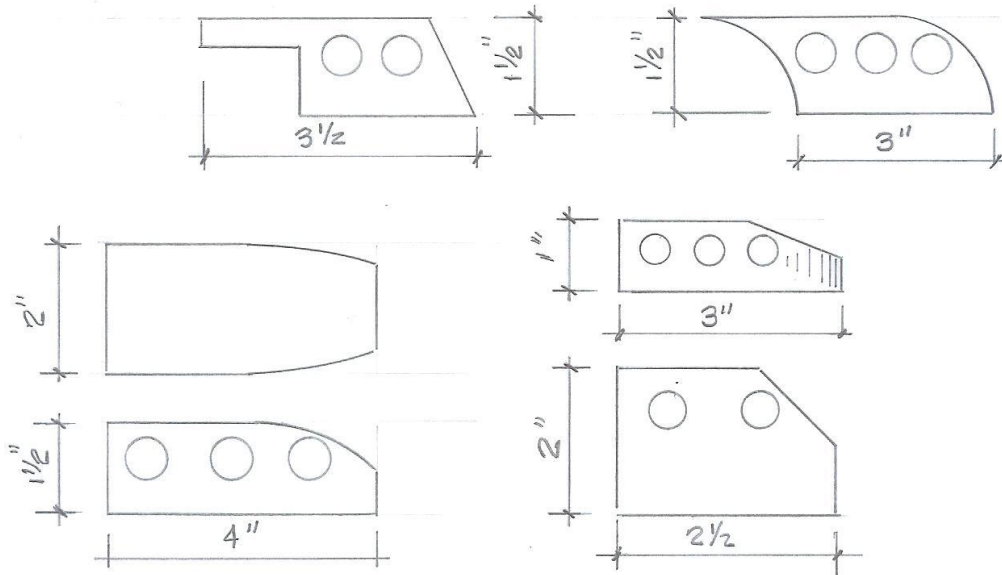


- 1 Cut 1" dia. Dowels into 1/4" thick pieces
 - 2 Drill 1/4" dia. hole in center to 1/8" deep (use brad point bit)
 - 3 Gang cut 1/4" dia dowels to 7/8" length
 - 4 Glue 7/8" long dowel into 1/4" hole
- Note:** This assembly can also be used as a steering wheel on other assemblies.

Cabins

Cabins

Cabins can be made in all shapes and sizes. Here are some examples:



Guns

Guns

Guns can be made in all shapes and sizes. Here are some examples:

