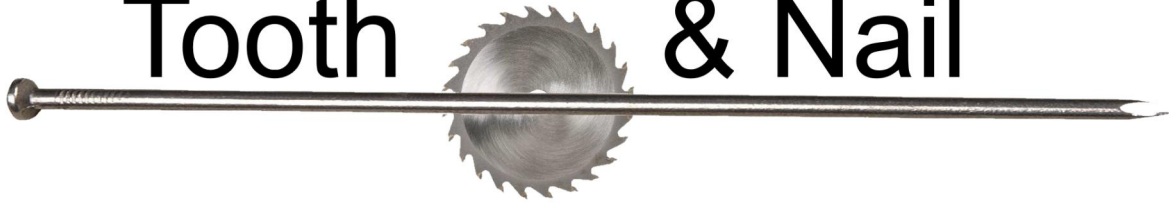


Tooth & Nail



Newsletter of the St Tammany Woodworkers Guild

April 2021

OFFICERS

President:
Bob Busfield
rabusfield@hotmail.com

Vice President:
open

Secretary:
Patricia Robbert
pat_robber@yadoo.com

Treasurer:
Wayne Thompson
bjwthompson@bellsouth.net

APPOINTMENTS

Wooden Boat Show Coordinator:
Henry Simon
topsw@bellsouth.net

Librarian:
Jim Suarez
svpanoya@gmail.com

Website Manager:
Tom Gustafson
tom@gustafson.us

NEXT MEETING

Tuesday
April 27, 2021 at 7:00 PM
on Zoom

Join Zoom Meeting:

<https://us02web.zoom.us/j/87374615335?pwd=OWZPQ0FRWFYvcn5XaWhLWFd1dFhkUT09>

Meeting ID: 873 7461 5335

Passcode: 117197

Bob Busfield called the meeting to order over Zoom on March 23, 2021. Approximately 17 members were present. Bob noted that the Wooden Boat Festival is about six months away. He said that Henry has spoken to the museum folks, but we haven't received any feedback yet. We will have to see what the situation is as we get closer to the date. We still need to do some preparation. We should make 500-600 hulls.

Wayne Thompson cut all of the blanks this weekend and has 660 hull blanks ready. Bob said he would go to Wayne's house this week and get the boxes and deliver them to volunteers who will cut the hulls.

The hull cutoffs are good for cutting the five-inch cabins.

Wayne also has 2x6 studs. The wood was stamped Premium.

Joe Perret volunteered to make the little sailboats again.

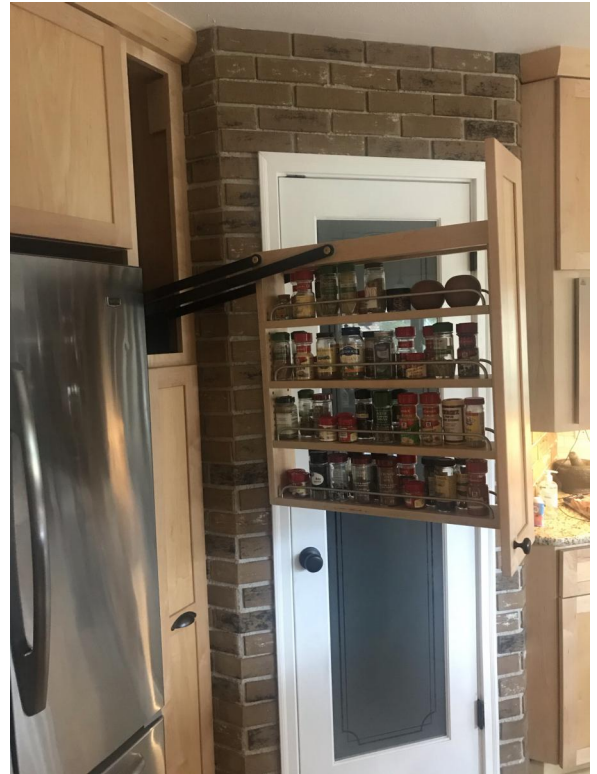
The Abbey is gearing up to use mahogany.

Bob called for any woodworking issues. One question involved finding a replacement for a European hinge. Suggestions were to use Blum hinges or Grass hinges. A 35 mm Forstner bit is standard (1 3/8"). A source is www.cabinetparts.com. Lowes may also be a source as well as Poole Lumber. The Blum +45 degrees hinge might work.

For Show 'n Tell, Tom Gustafson showed a pull-out spice rack that he designed and built into a narrow upper cabinet. The rack uses gas-filled lifts and a parallelogram support system. Tom also showed us a skylight in his kitchen which lowers and becomes a 600 pound lift into the attic. The lift uses a 110 V winch. He also showed a box he made for a caller who was asking for one. He used aspen from Home Depot for the sides, plywood for the bottom, and applied a mahogany colored finish.

For the demonstration, we took a virtual tour of Bob's shop which is an addition to his house.

-Pat Robbert



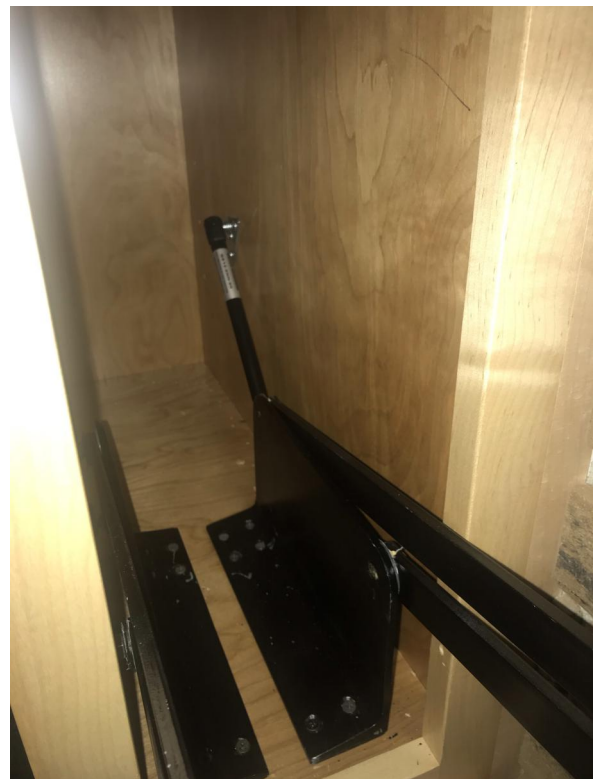
Tom Gustafson designed and built a spice rack that can be pulled out and down from a narrow upper cabinet. Design details are on the next page.

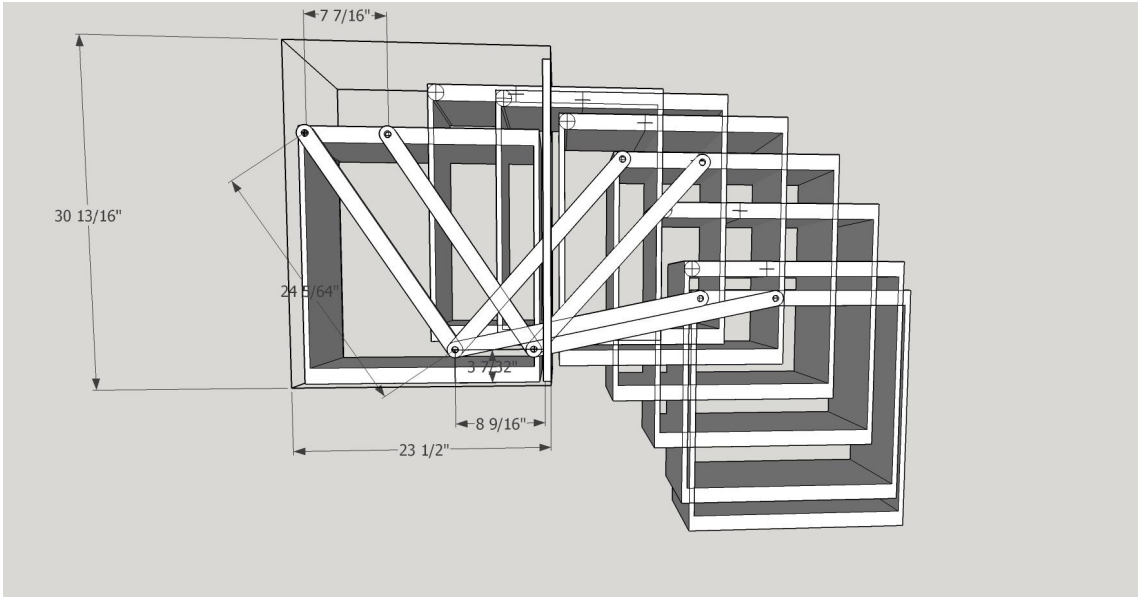
LENDING LIBRARY

Please contact our librarian by email to request a book or DVD. A complete list of titles is available on the website.

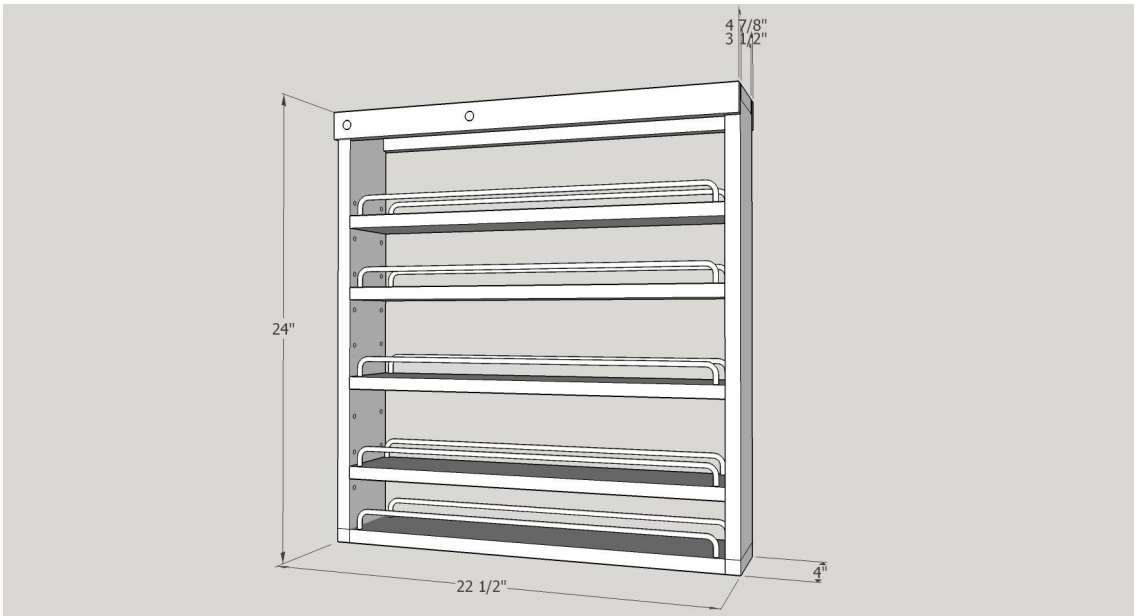
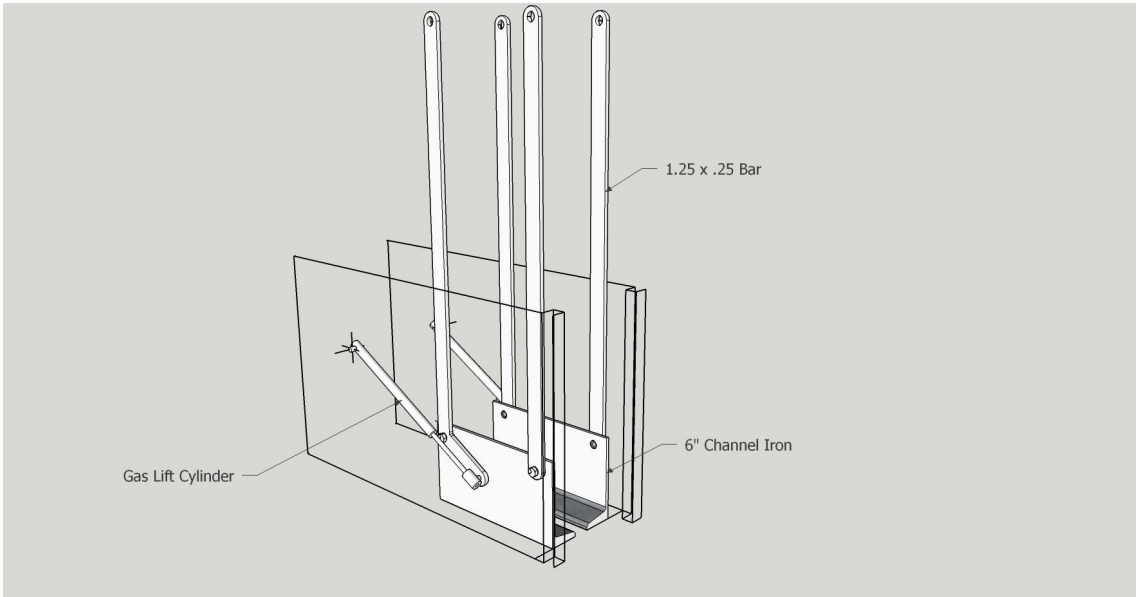
Librarian:
Jim Suarez
svpanoya@gmail.com

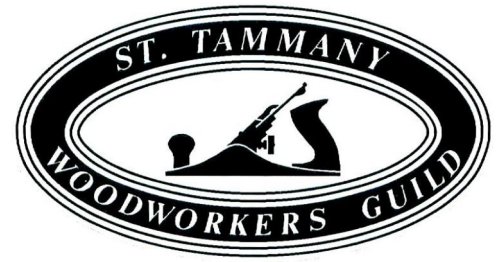
Website:
www.StTammanyWoodworkersGuild.com



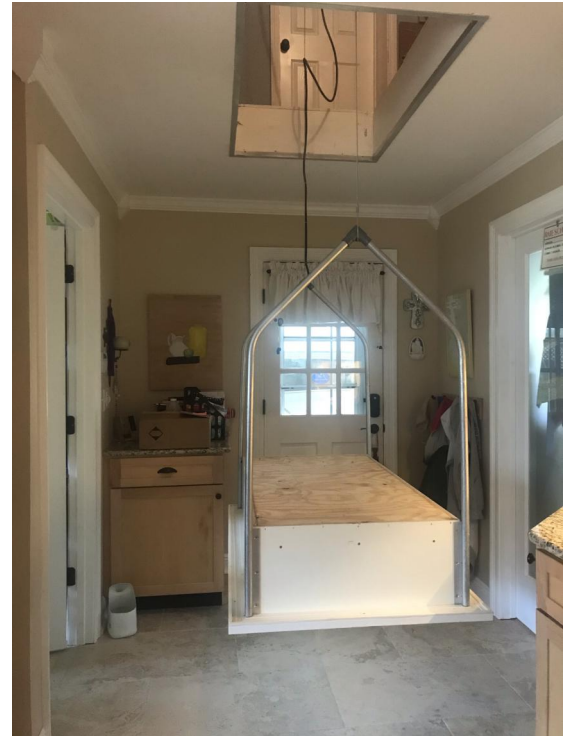


These diagrams show the design details for Tom's spice rack. In the first diagram he considers the range of motion for the spice cabinet constrained by parallel bars with fixed pivots at the lower end. The second diagram shows the 1.25" x .25" steel bars, gas lift cylinders, and the fixed base made of 6" channel iron. The third diagram shows the construction of the moveable portion of the spice rack.





Tom also showed us a skylight in his kitchen which lowers and becomes a 600 pound lift into the attic. The lift uses a 110 V winch from Harbor Freight, conduit, and cables.





A caller was looking for someone to build a box for her. Tom Gustafson built the 12" x 15" x 3.25" box using aspen for the sides and plywood for the bottom. A mahogany finish completes the box.

MISSION

The Guild is an organization founded in 1991 by local woodworkers for the purpose of education and inspiration in the art of woodcraft. The Guild is open to anyone who has an interest in woodworking at any skill level. Most members live in St. Tammany Parish but some come from Washington, Orleans, and Jefferson Parishes. Meetings are on the fourth Tuesday of each month at 7:00 PM except July when there is no meeting and December when the Banquet replaces the meeting.

No matter what your level of experience is in the field of woodworking or where your interests lie, e.g., woodturning, flatwork, or carving, the Guild is there for your enjoyment and fellowship. Regardless of how many tools you own, whether you have a shop or not, come and see what the Guild is all about.